

SWIVEL TORQUE HINGE

STAINLESS 430 STEEL

HG-S



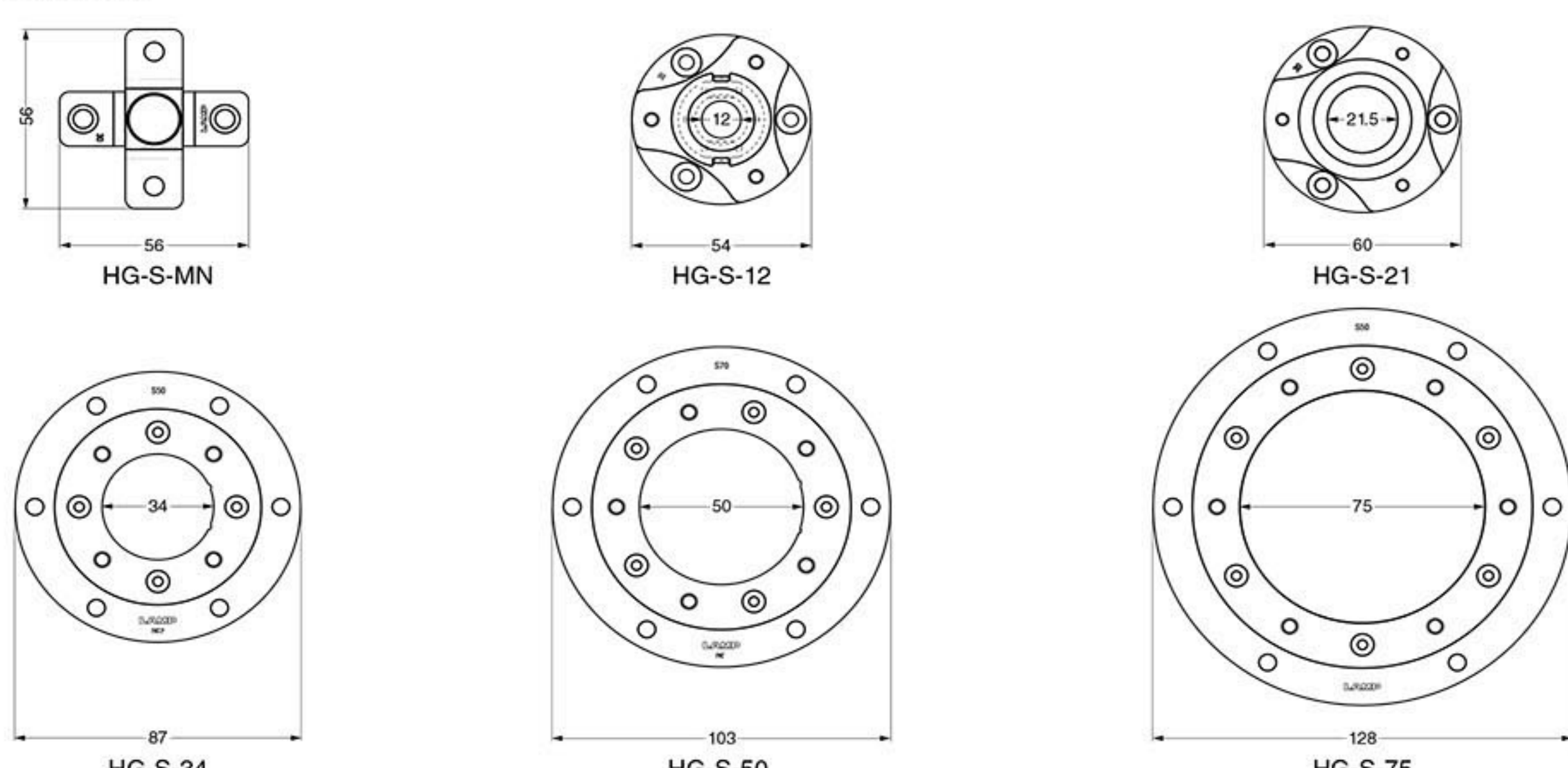
Features

- Rotation angle: 360°
- Centre hole for easy cable management (except for HG-S-MN).

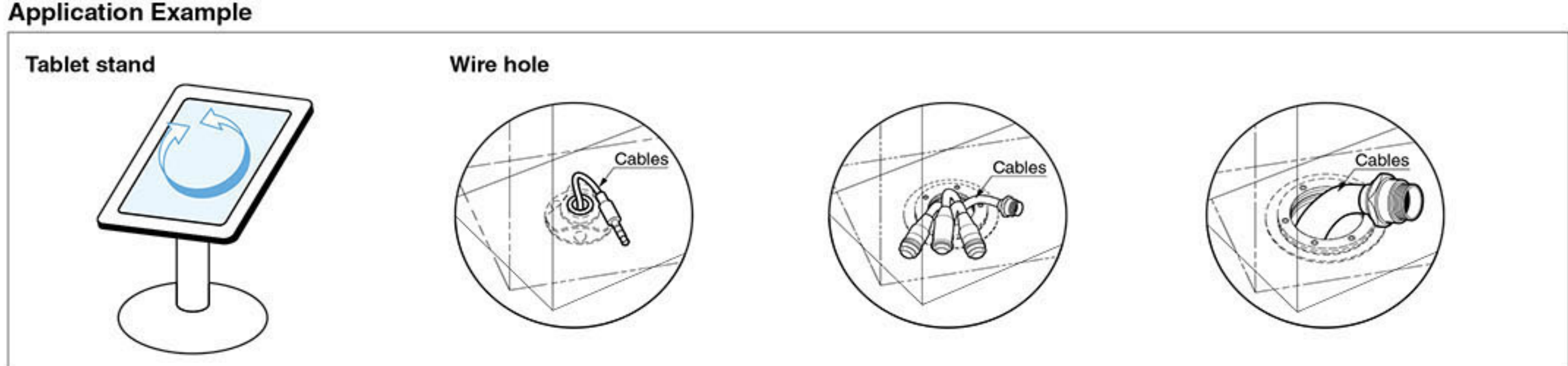


Item Code	Item Name	Hole Diameter	Size	Torque Moment	Load Capacity	Weight	Box	Carton	Page
170-029-726	HG-S7-MN	-	56	0.7 ^{+20%} N-m (7.1 ^{+20%} kgf-cm)	-	49 g	25 pcs	200 pcs	P.440
170-029-727	HG-S20-MN	-	56	2.0 ^{+20%} N-m (20.4 ^{+20%} kgf-cm)	-	49 g	25 pcs	200 pcs	
170-021-976	HG-S30-12	φ12	φ54	3.0 ^{+20%} N-m (30.6 ^{+20%} kgf-cm)	200 N / 20.4 kgf	131 g	10 pcs	100 pcs	
170-021-975	HG-S50-12	φ12	φ54	5.0 ^{+20%} N-m (51.0 ^{+20%} kgf-cm)	200 N / 20.4 kgf	131 g	10 pcs	100 pcs	
170-029-728	HG-S30-21	φ21.5	φ60	3.0 ^{+20%} N-m (30.6 ^{+20%} kgf-cm)	200 N / 20.4 kgf	173 g	10 pcs	80 pcs	
170-029-729	HG-S50-21	φ21.5	φ60	5.0 ^{+20%} N-m (51.0 ^{+20%} kgf-cm)	200 N / 20.4 kgf	173 g	10 pcs	80 pcs	P.441
*170-023-959	HG-S50-34	φ34	φ87	5.0 ^{+20%} N-m (51.0 ^{+20%} kgf-cm)	400 N / 40.8 kgf	274 g	5 pcs	40 pcs	
*170-023-960	HG-S70-34	φ34	φ87	7.0 ^{+20%} N-m (71.4 ^{+20%} kgf-cm)	400 N / 40.8 kgf	276 g	5 pcs	40 pcs	
*170-023-961	HG-S70-50	φ50	φ103	7.0 ^{+20%} N-m (71.4 ^{+20%} kgf-cm)	400 N / 40.8 kgf	370 g	5 pcs	40 pcs	
*170-023-962	HG-S100-50	φ50	φ103	10.0 ^{+20%} N-m (102.0 ^{+20%} kgf-cm)	400 N / 40.8 kgf	370 g	5 pcs	40 pcs	
*170-029-730	HG-S50-75	φ75	φ128	5.0 ^{+20%} N-m (51.0 ^{+20%} kgf-cm)	-	576 g	20 pcs	120 pcs	P.441
*170-029-731	HG-S70-75	φ75	φ128	7.0 ^{+20%} N-m (71.4 ^{+20%} kgf-cm)	-	576 g	5 pcs	40 pcs	

*Horizontal installation only.



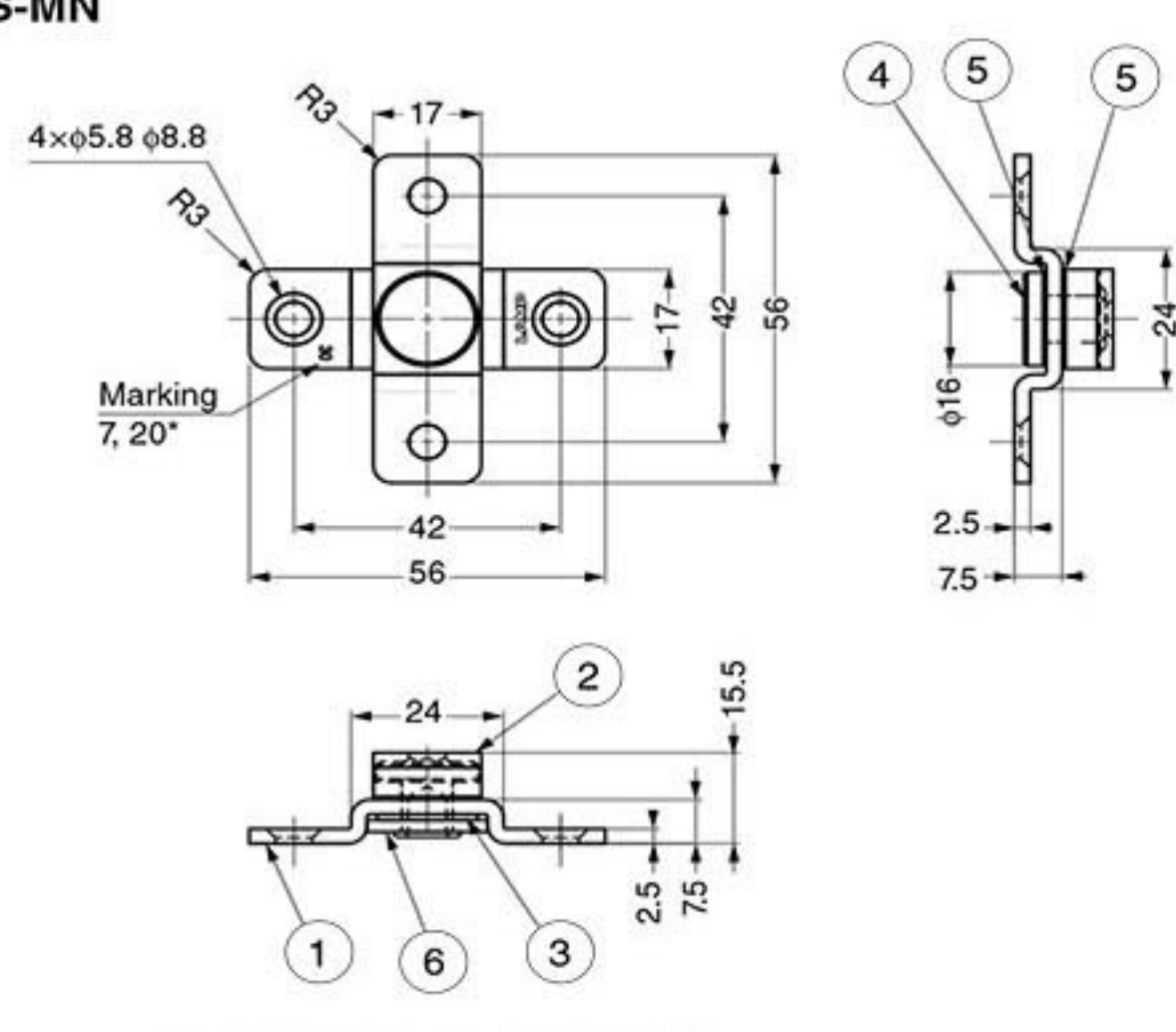
Application Example



Updated 2019.01.23

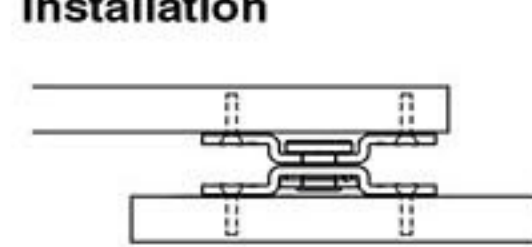
LAMP®

HG-S-MN



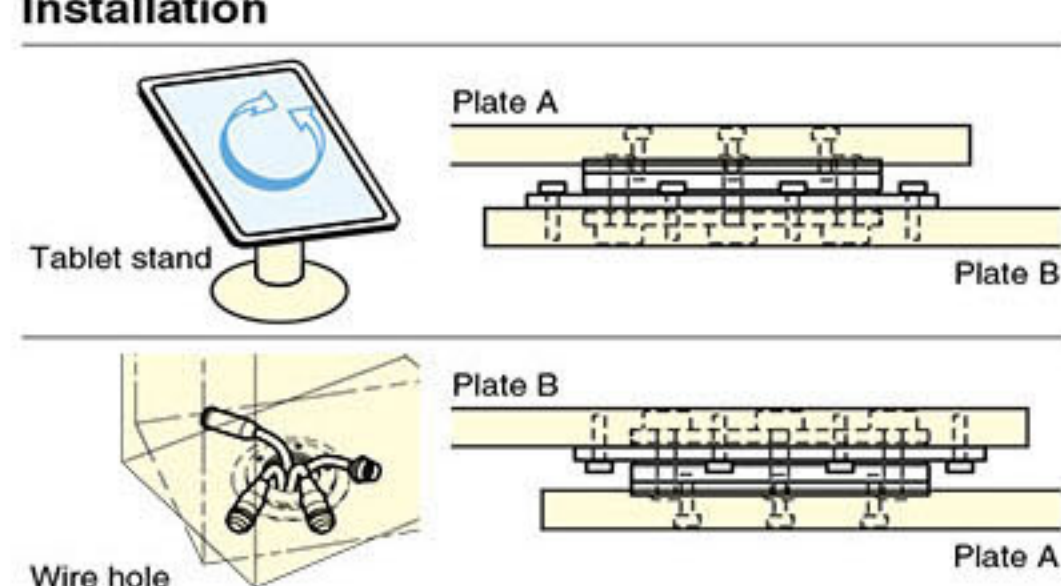
*7 : HG-S7-MN, 20 : HG-S20-MN

Installation

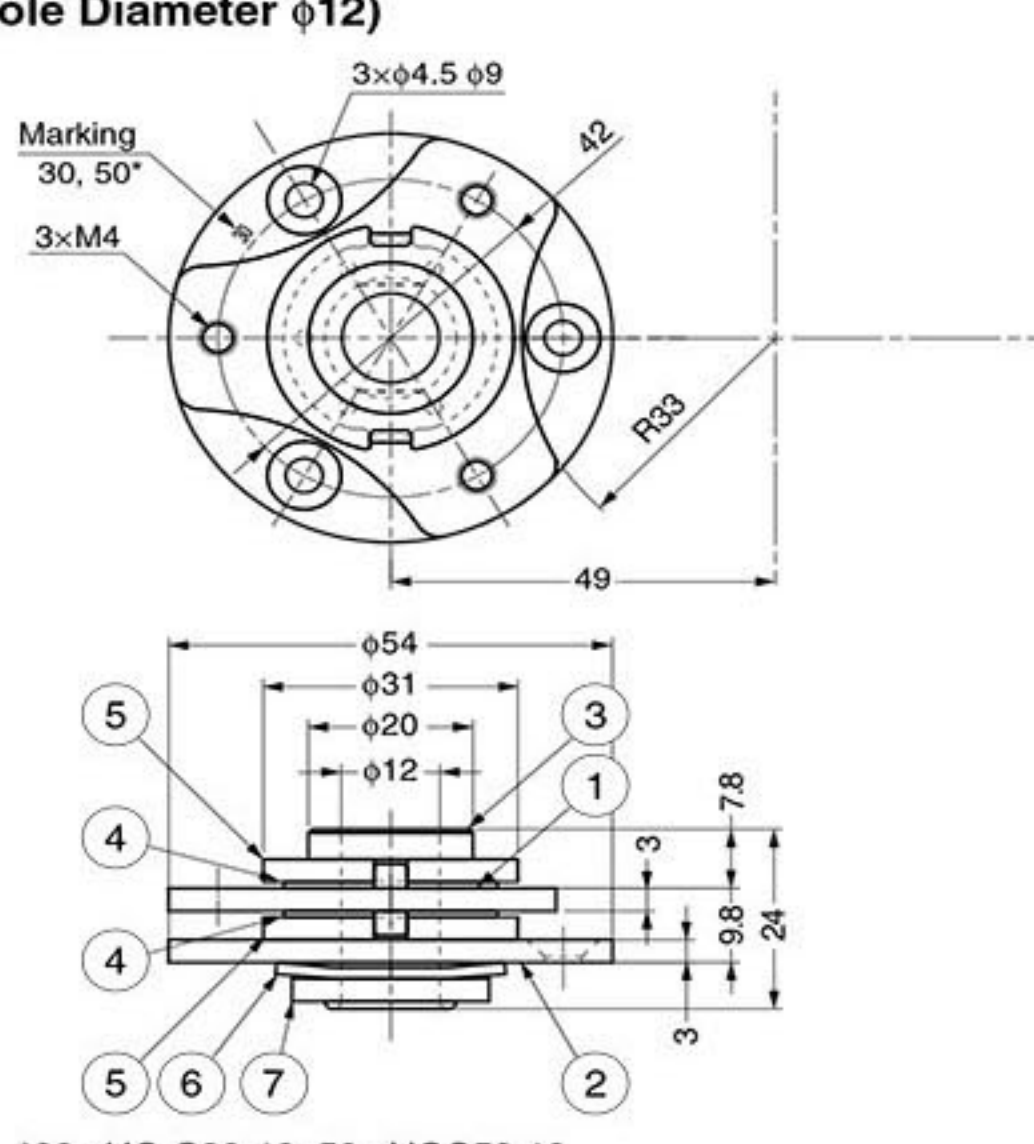


No.	Part Name	Material	Finish
①	Bracket B	Stainless Steel (SUS430)	Mirror
②	Bracket A	Stainless Steel (SUS430)	Mirror
③	F Plate	Bronze	-
④	Shaft	Stainless Steel (SUS303)	-
⑤	Spring Washer	Stainless Steel	-
⑥	Washer	Stainless Steel (SUS430)	Mirror

Installation

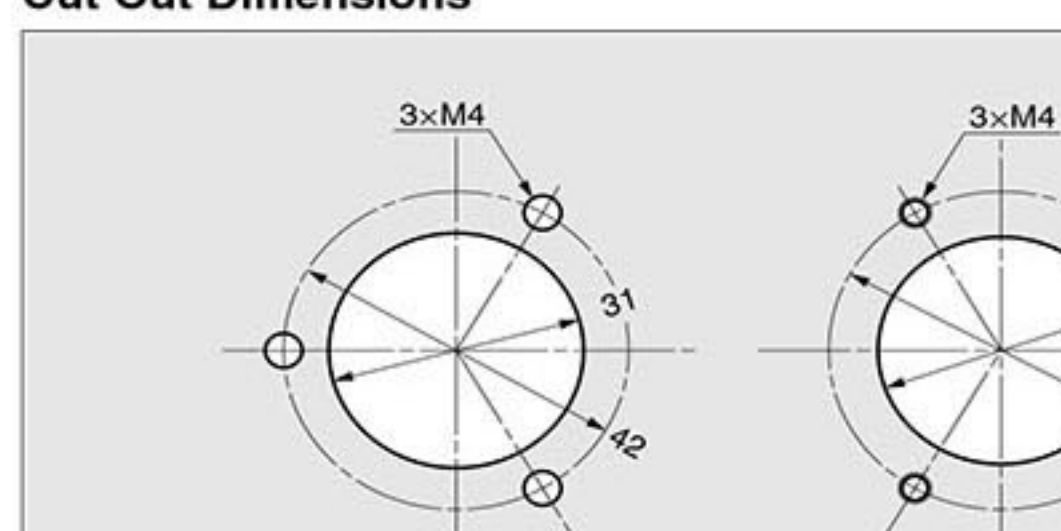


HG-S-12 (Hole Diameter φ12)



*30 : HG-S30-12, 50 : HGS50-12

Installation

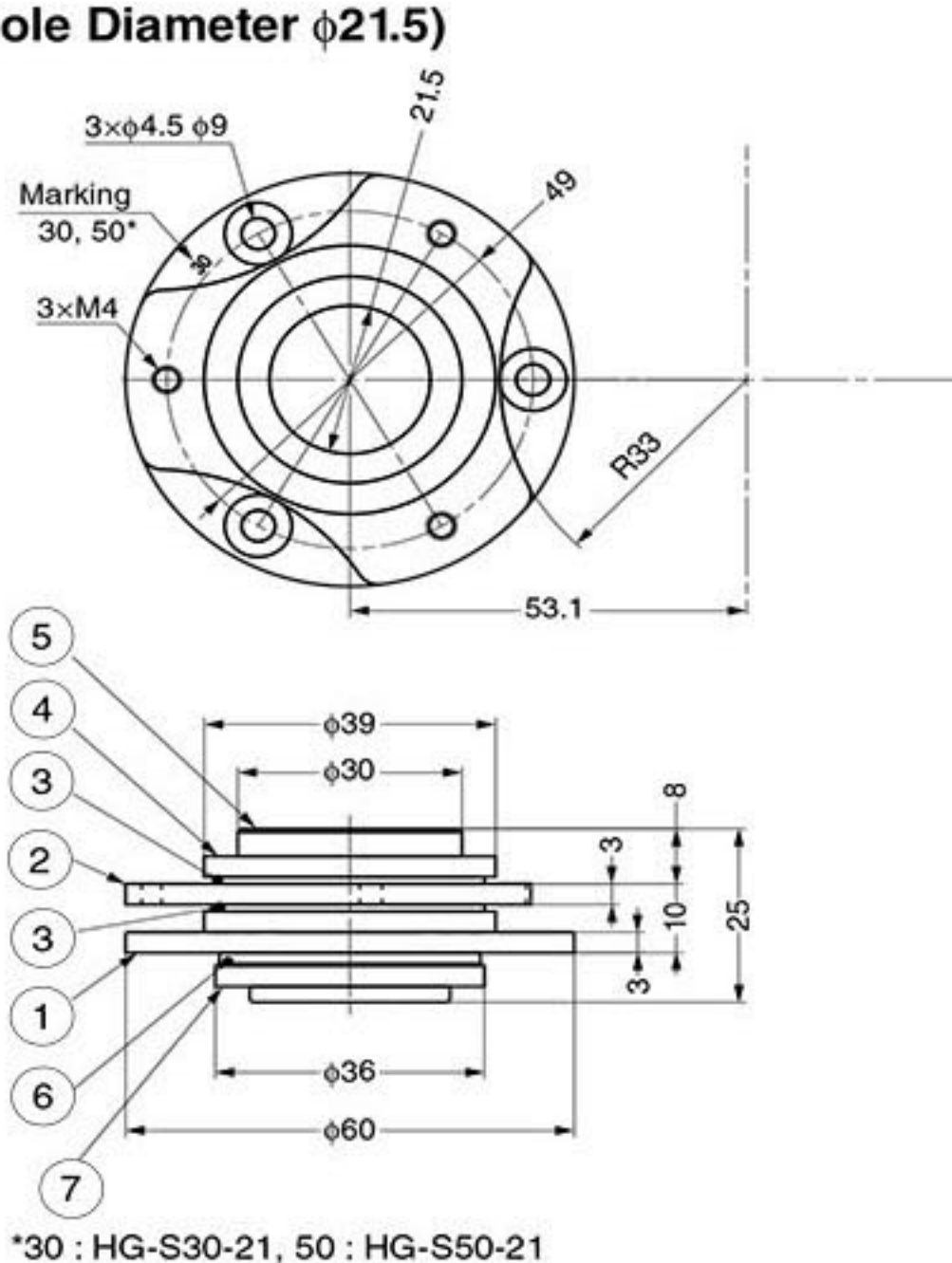


No.	Part Name	Material	Finish
①	Bracket	Stainless Steel (SUS430)	Mirror
②	Base Plate	Stainless Steel (SUS430)	Mirror
③	Sleeve	Stainless Steel (SUS303)	-
④	F Plate	Bronze	-
⑤	Washer	Stainless Steel (SUS430)	Mirror
⑥	Spring Washer	Steel	-
⑦	Washer	Stainless Steel (SUS430)	-

Cut Out Dimensions

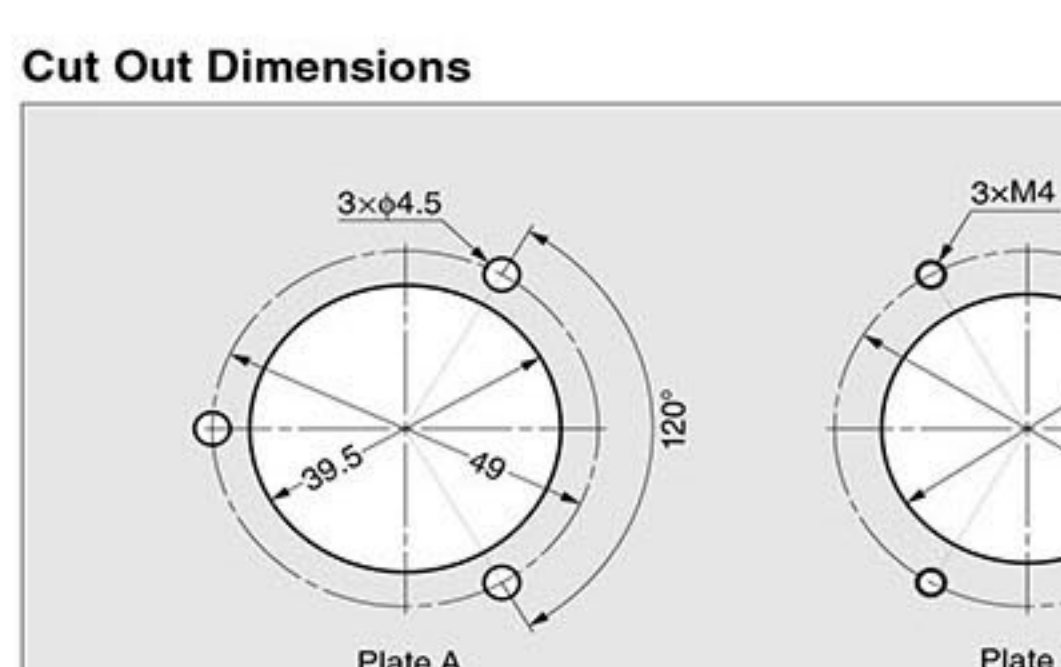


HG-S-21 (Hole Diameter φ21.5)



*30 : HG-S30-21, 50 : HG-S50-21

Installation



No.	Part Name	Material	Finish
①	Plate B	Stainless Steel (SUS430)	Mirror
②	Plate A	Stainless Steel (SUS430)	Mirror
③	F Plate	Bronze	Polished
④	Washer	Stainless Steel (SUS430)	Mirror
⑤	Sleeve	Stainless Steel (SUS303)	Plain
⑥	Spring Washer	Stainless Steel	-
⑦	Washer	Stainless Steel (SUS430)	-

Cut Out Dimensions



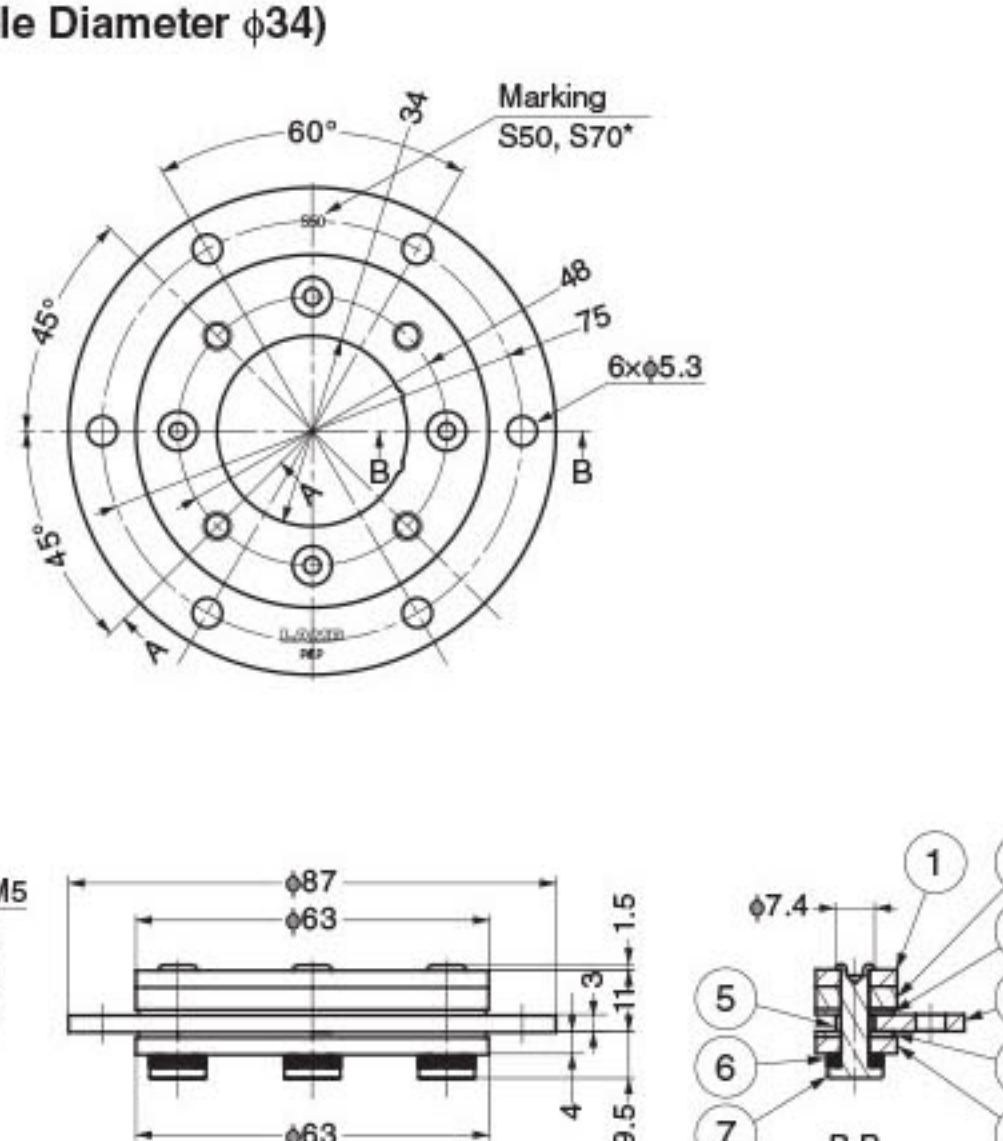
No.	Part Name	Material	Finish
①	Plate B	Stainless Steel (SUS430)	Mirror
②	Plate A	Stainless Steel (SUS430)	Mirror
③	F Plate	Bronze	Polished
④	Washer	Stainless Steel (SUS430)	Mirror
⑤	Sleeve	Stainless Steel (SUS303)	Plain
⑥	Spring Washer	Stainless Steel	-
⑦	Washer	Stainless Steel (SUS430)	-



Updated 2019.01.23

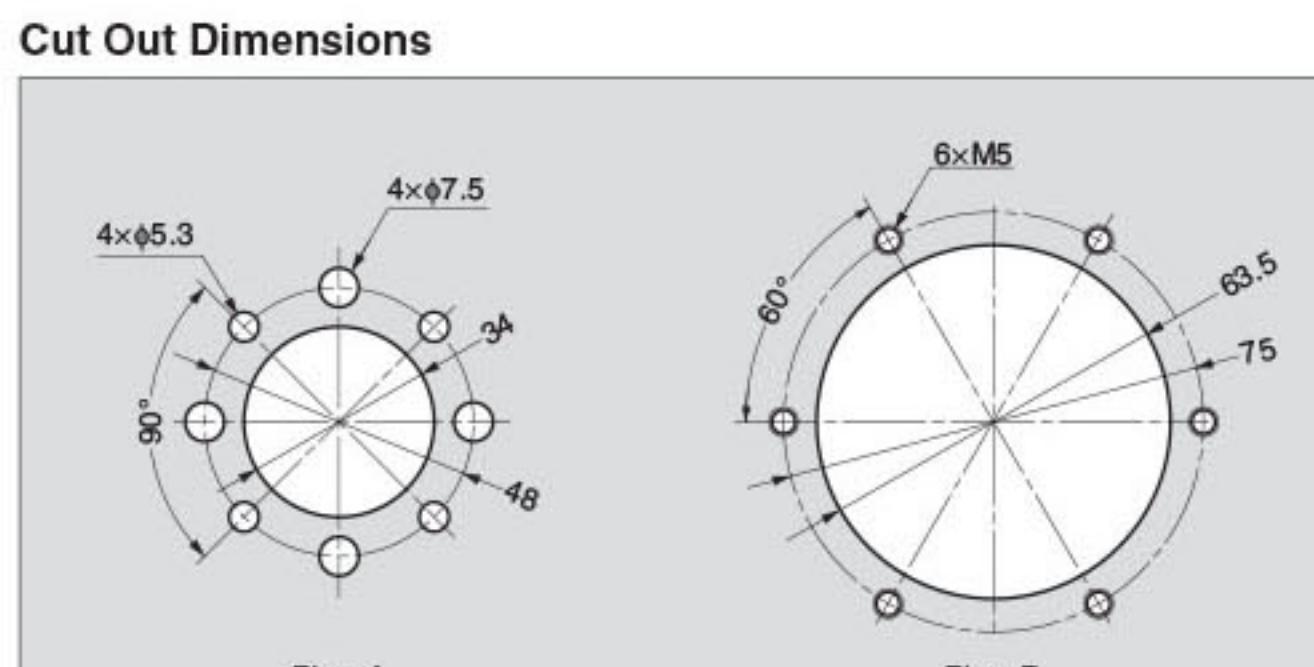
LAMP®

HG-S-34 (Hole Diameter φ34)



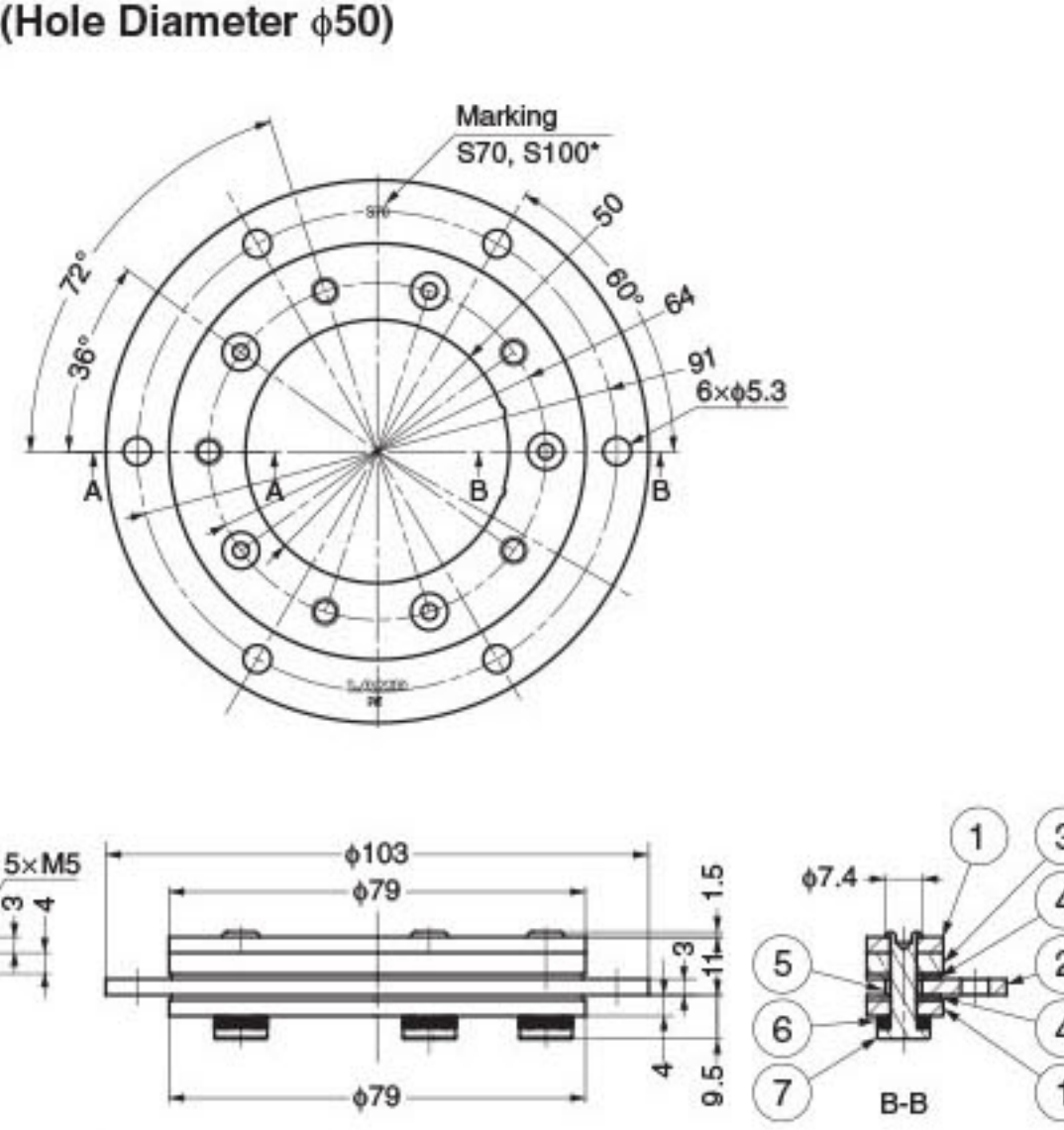
*S50 : HG-S50-34, S70 : HG-S70-34

Cut Out Dimensions



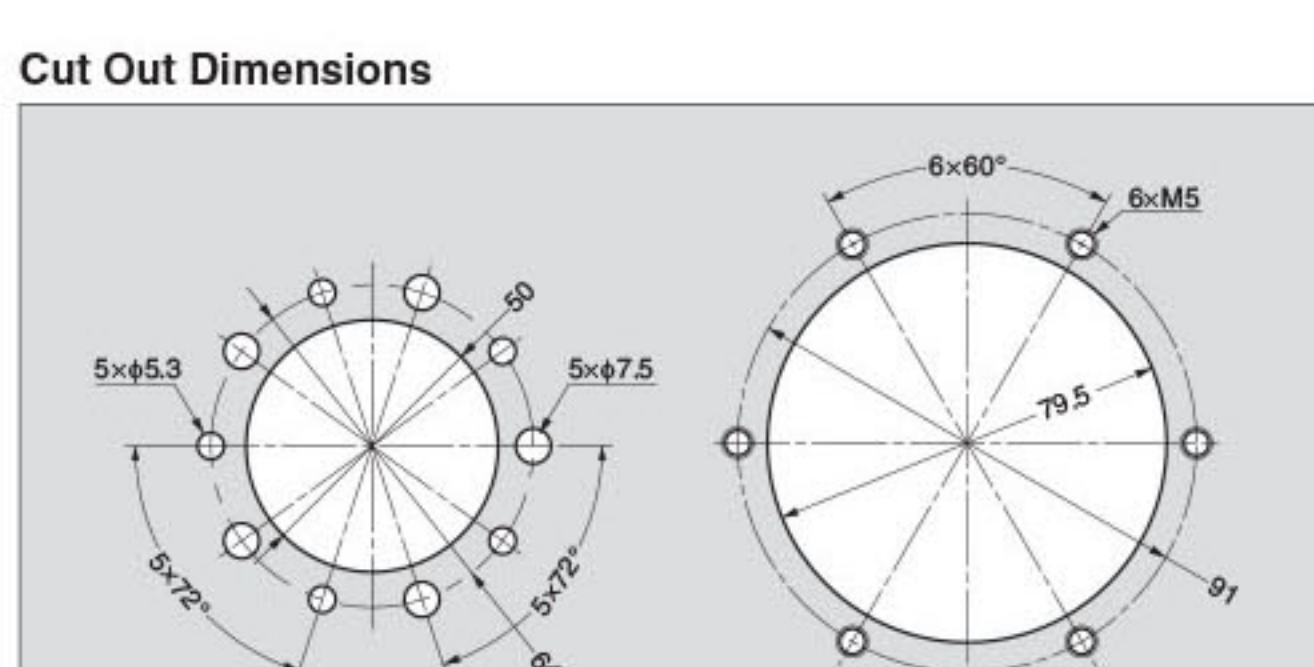
No.	Part Name	Material	Finish
①	Plate A	Stainless Steel (SUS430)	Mirror
②	Plate B		
③	Plate C		
④	F Plate	Bronze	-
⑤	Bush	Stainless Steel (SUS303)	-
⑥	Spring Washer	Stainless Steel	-
⑦	Shaft	Stainless Steel (SUS303)	-

HG-S-50 (Hole Diameter φ50)



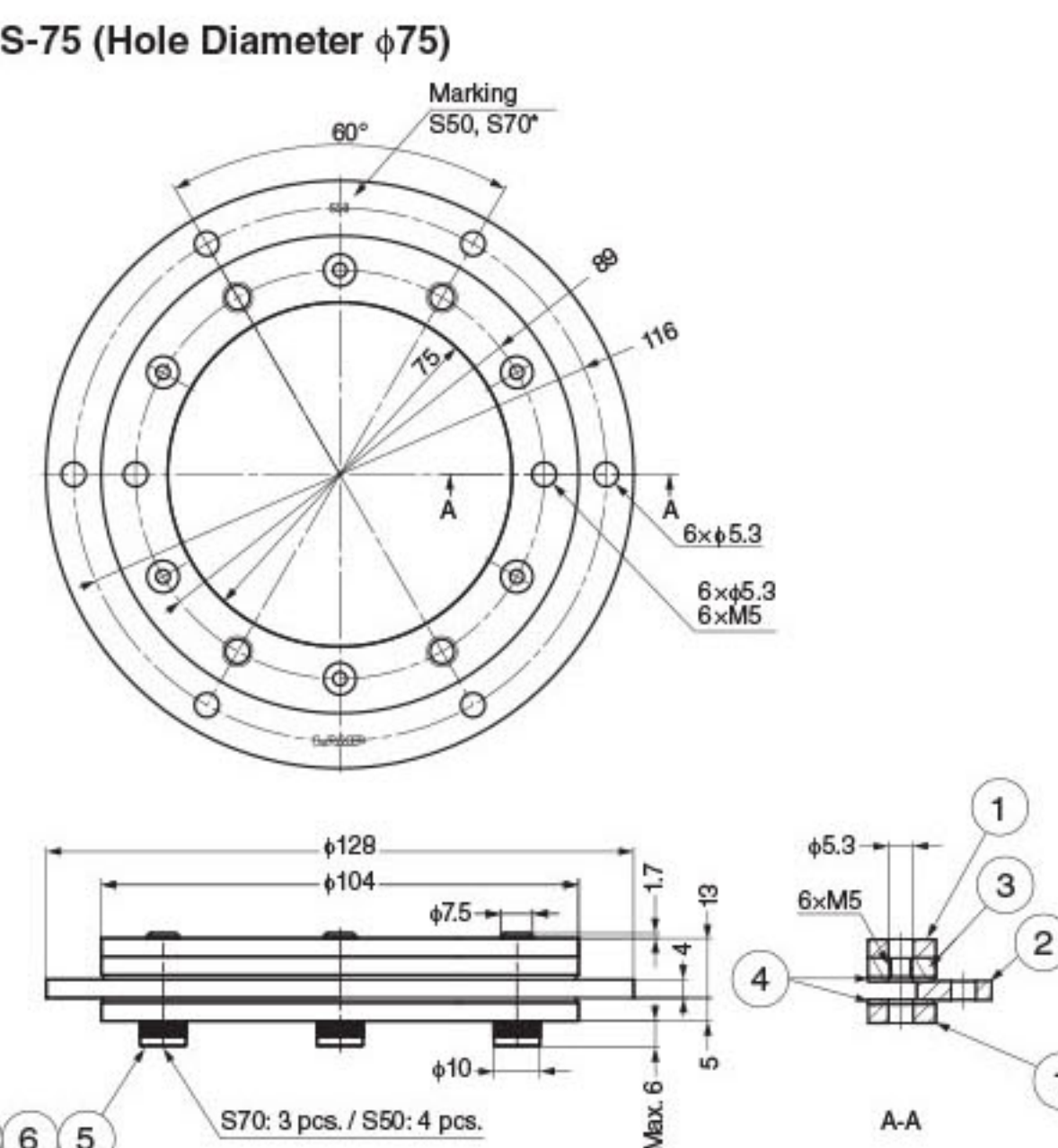
*S70 : HG-S70-50, S100 : HG-S100-50

Cut Out Dimensions



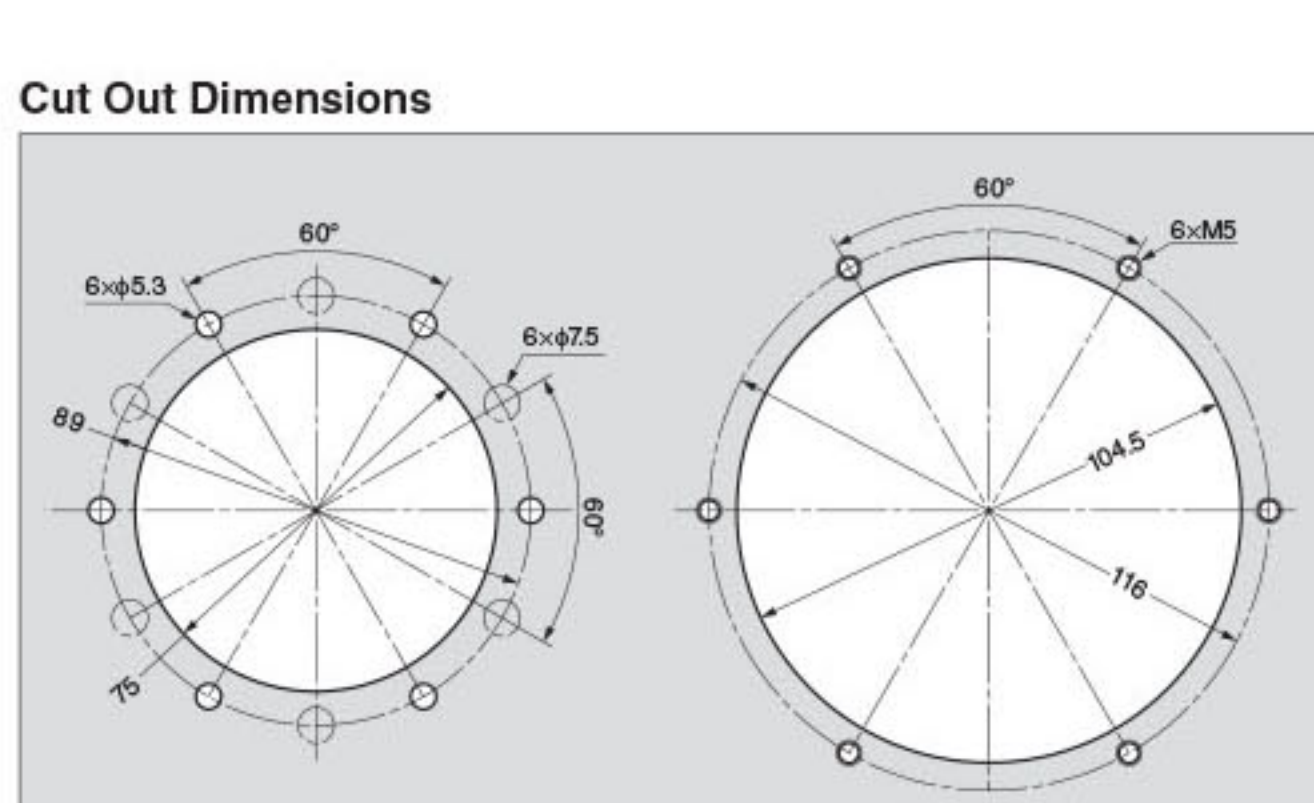
No.	Part Name	Material	Finish
①	Plate A	Stainless Steel (SUS430)	Mirror
②	Plate B		
③	Plate C		
④	F Plate	Bronze	-
⑤	Bush	Stainless Steel (SUS303)	-
⑥	Spring Washer	Stainless Steel	-
⑦	Shaft	Stainless Steel (SUS303)	-

HG-S-75 (Hole Diameter φ75)



*S50 : HG-S50-75, S70 : HG-S70-75

Cut Out Dimensions



No.	Part Name	Material	Finish
①	Plate A	Stainless Steel (SUS430)	Mirror
②	Plate B		
③	Plate C		
④	F Plate	Bronze	-
⑤	Bush	POM	-
⑥	Spring Washer	Stainless Steel	-
⑦	Shaft	Stainless Steel (SUS303)	-

